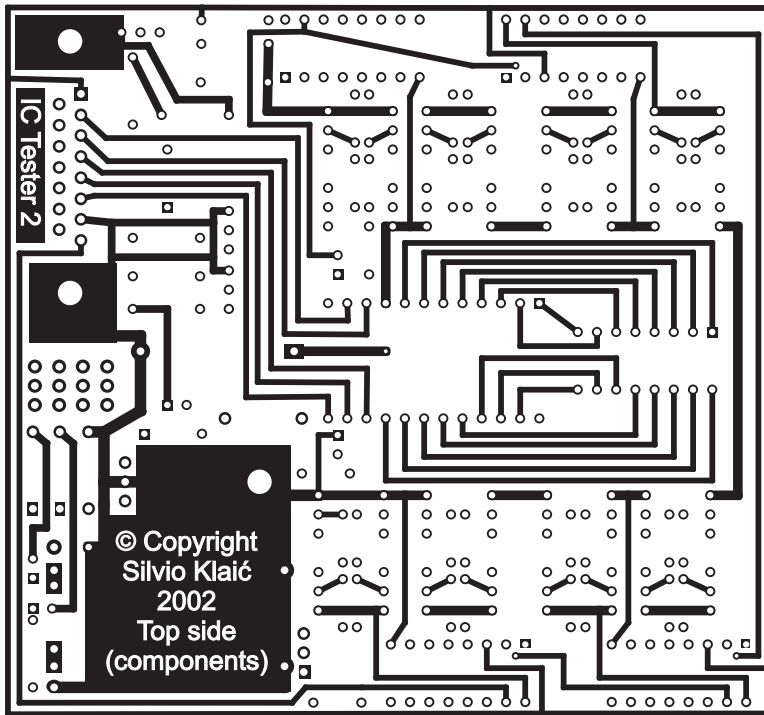
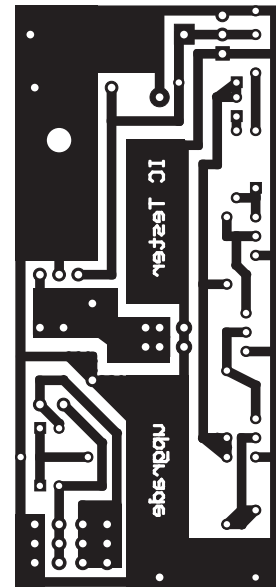


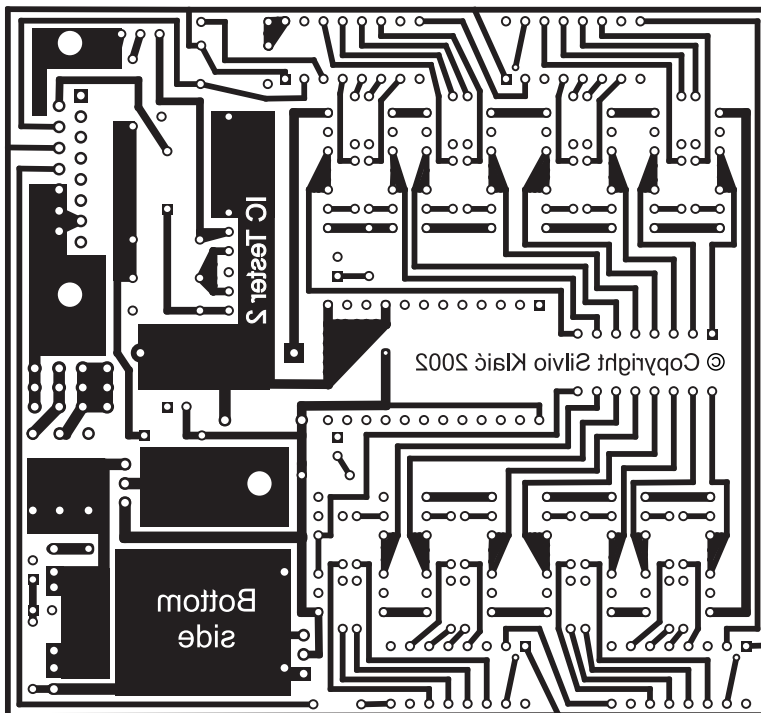
IC Tester 2 - Top copper lines



IC Tester upgrade - power supply



IC Tester 2 - bottom copper lines



Diode/OCR addon

